



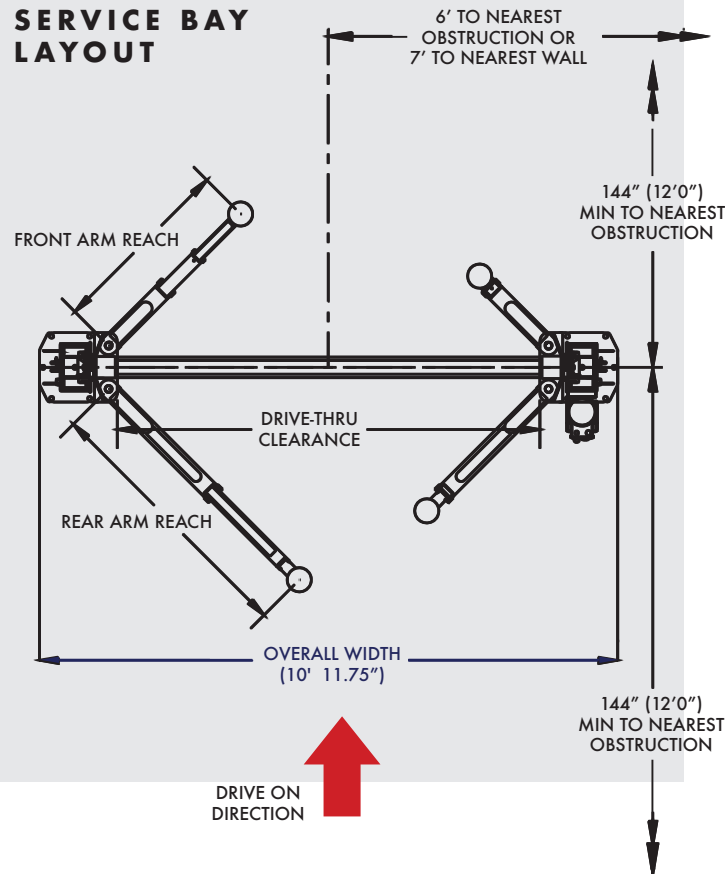
CL Challenger Lifts


LE10

SITE SPECIFICATIONS

- **BAY HEIGHT:** 12' minimum
- **BAY WIDTH:** 12' recommended
- **BAY DEPTH:** 24' recommended
- **POWER REQ.:** 208-230v Single Phase*, 20-amp breaker
- **MIN. CONCRETE SPEC:** 4" thick, reinforced, free from cracks/seams, rated at 3500+ psi, cured at least 28 days

SERVICE BAY LAYOUT



| Model Number | LE10 |
|-------------------------------|---|
| Lifting Capacity | 10,000 lbs. |
| Lifting Configuration | Symmetric & Asymmetric |
| Arms | 3-stage front/2-stage rear |
| Overall Height | 143.875" |
| Rise Height | 74.75" |
| Screw Pad Height | 4.25" / 6.75" |
| Overall Width | 131.75" |
| Inside Columns | 110.25" |
| Drive-Thru Clearance | 98.375" |
| Floor to Overhead Switch | 137" |
| Front Arm Reach | 21.75" / 39.25" |
| Rear Arm Reach | 38.75" / 55.375" |
| Motor / Voltage | 2HP, 208v-230v, 60Hz, 1Ph |
| Speed of Rise | 43 s |
| Ceiling Height Required | 12' |
| ALI/ETL Certified | √ |
| 2' Height Extension Available | √ |
| 3' Height Extension Available | - |
| Colors Available |  |

*3-phase upgrade is available for purchase

www.challengerlifts.com
1-800-648-5438