

# CLHM SERIES

## ACCESSORIES

Challenger's **NEW** 14,000 and 19,000 lb. capacity mobile column lifts can be customized to meet specific service needs. CLHM mobile accessories can assist with lifting heavy-duty trucks, transit and municipality vehicles, forklifts, and cab removal of standard pickup trucks with ease and simplicity.



**mobile HD**  
HEAVY-DUTY LIFTING SOLUTIONS

**CL Challenger Lifts**

## OPTIONAL ACCESSORIES

### SUPPORT STANDS

20-32"



#### SHORT STAND

20,000 lb. capacity each, 1" adjustment increments per stand  
**CLHM-10-TH**

30-52"



#### MEDIUM STAND

20,000 lb. capacity each, 1" adjustment increments per stand  
**CLHM-10-THF**

53-72"



#### HIGH-RISE STAND with Gas Assist

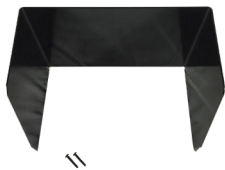
14,000 lb. capacity each, 2.75" adjustment increments per stand  
**CLHM-7-THR**

53-72"



#### HIGH-RISE STAND with Gas Assist

20,000 lb. capacity each, 2.75" adjustment increments per stand  
**CLHM-10-THR**



#### GLARE SCREEN

Cover your integrated touch screen control console to make it more readable as well as protect it from dirt at a worksite.  
**CLHM-GS**



#### TRANSMISSION JACK

2,700 lbs. capacity, 30" start height, max. height of 72", 360° rotating head with fore and aft tilt. First stage power is 100 percent air. Second stage power is air/hydraulic for precise control.  
**CLHM-HTCJ-2000**

#### CLUTCH JACK

Air/hydraulic powered, 300 lb. capacity, 360° rotating head, 80.5" max. lifting height  
**CLHM-HR-300**



#### WHEEL DOLLY

1,200 lbs. capacity, max lifting height of 51" and air assisted hydraulic power system. Flexible design works with super single and dual wheel assemblies, combines fore/aft and side-to-side tilt adjustment.  
**CLHM-WDH-12**



#### LIGHT KIT (PAIR)

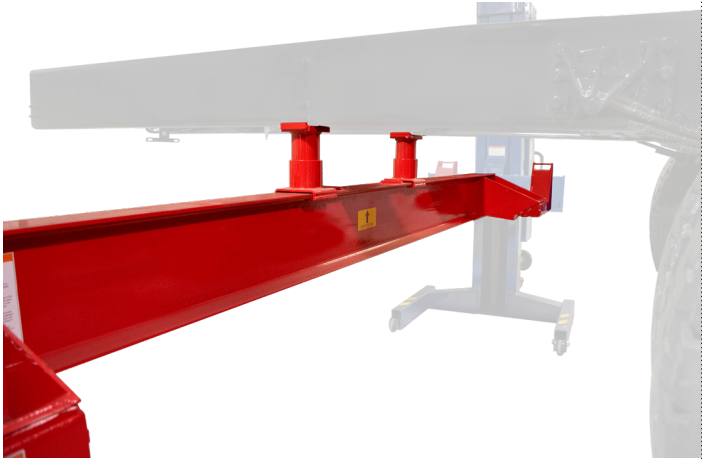
Illuminate work areas under your vehicle. Two magnetic lights per kit: one light for each column.  
**CLHM-LS-LK**



#### COVERS

Protect your investment with mobile column covers. Choose between full or half covers. Sold individually.  
**CLHM-CVR-F (FULL)**  
**CLHM-CVR-H (HALF)**

## SPECIALTY LIFTING



### CROSS BEAM ADAPTER

32,000 lb. capacity adapter allows you to lift by frame rails.

**CLHM-CB-32A**



### CAB-OFF ADAPTER

A safe and efficient solution for cab-off vehicle maintenance. Adjustable length accommodates both 2- and 4-door trucks.

**CLHM-CA-15**

### Height Adapters

Features 3" and 6" height adapters to reach the most difficult lift points.



### FORK LIFT ADAPTER

15,000 lb. capacity adapter allows you to raise a fork lift 64"

**CLHM-FLA**



### END LIFT ADAPTER

9,000 lb. capacity (per column) used to support vehicle from front and back. Designed specifically to lift Humvees.

**CLHM-ELA-90A**



# MOBILE COLUMN ACCESSORIES



## ADAPTERS



| PART         | DESCRIPTION                            |
|--------------|--|
| CLHM-CB-32A  | Crossbeam Adapter (32,000 lbs., 1 Kit) |
| CLHM-ELA-90A | End Lift Adapter (9,000 lbs., Pair)    |
| CLHM-FLA     | Fork lift Adapter (15,000 lbs.)        |
| CLHM-FLA-3WA | Third Wheel Fork Lift Adapter          |
| CLHM-CA-15   | Cab Off Adapter (1,500 lbs., Pair)     |
| CLHM-LSA     | Small Wheel Adapter                    |

## SUPPORT STANDS

| PART        | DESCRIPTION  |
|-------------|--|
| CLHM-10-TH  | Short Support stands (20K lbs., 20"-32", Pair)                   |
| CLHM-10-THF | Medium Support stands (20K lbs., 30"-52", Pair)                  |
| CLHM-7-THR  | Gas-Assisted Mobile High Stand (14K lbs., 53" - 72", 1 stand)    |
| CLHM-10-THR | Gas-Assisted Mobile High Stand (20K lbs., 53" - 72", 1 stand)    |
| CLHM-9-THR  | Gas-Assisted Mobile High Stand (18K lbs., 46.75" - 84", 1 stand) |



## ACCESSORIES



| PART           | DESCRIPTION                            |
|----------------|--|
| CLHM-HR-300    | Clutch Jack (300 lbs.)                 |
| CLHM-HTCJ-2000 | Transmission Jack (2,700 lbs.)         |
| CLHM-LS-LK     | Light Kit (Pair)                       |
| CLHM-WDH-12    | Wheel Dolly (1,200 lbs.)               |
| CLHM-RAR-20    | Rear Axle Chaining Device (2,000 lbs.) |
| CLHM-GS        | Glare Shield                           |
| CLHM-CVR-F     | Full Cover for Mobile Columns (each)   |
| CLHM-CVR-H     | Half Cover for Mobile Columns (each)   |

For more information, contact your Authorized Challenger Lifts Distributor:

800-648-5438 | 502-625-0700 | Fax: 502-625-0711 | Email: sales@challengerylifts.com  
2311 South Park Road | Louisville, KY 40219



Challenger Lifts, Inc. reserves the right to make changes to specifications without notice and without making changes retroactive. Unloading, installation and oil not included.

© All Rights Reserved  
CLHMCC.0218.001