

# TC33M

Mobile Center-Clamp Tire Changer

**HUNTER**  
Engineering Company

## SPECIFICATIONS [ ]



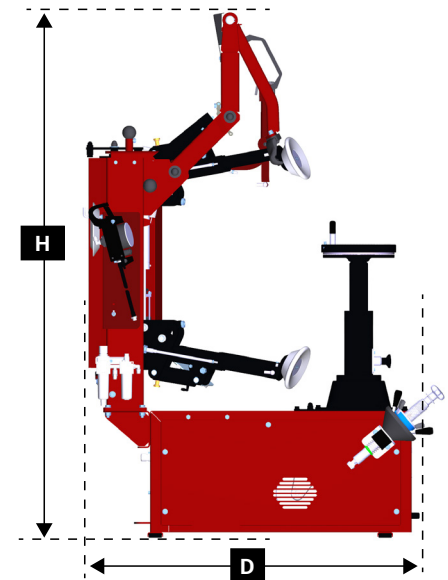
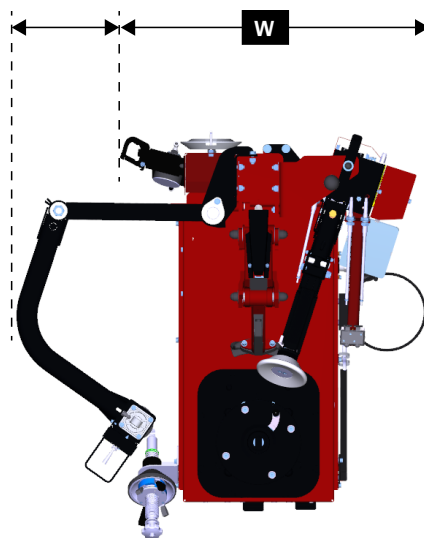
TC33M



TC33MBP

Power Requirements	208-230V, 6A (1300 W), 50/60Hz, 1 ph, NEMA L6-20P included
Air Supply Requirements	115 - 145 psi (8 - 10 bar)
Base Machine Weight	513 lbs (233 kg)
Wheel Lift Weight	62 lbs (28 kg)
Bead Press Arm Weight	92 lbs (42 kg)
Mount / Demount Tools	Polymer, Standard Lever Head
Clamping Type	Center w/ Quick Clamp and Cam Plate
Bead Loosening Type	Upper & Lower Rollers
Match Mounting Capable	Yes
Adjustable Clamping Height	Yes, 3 positions
Rim Diameter Range	12 - 24 in
Maximum Tire Diameter	50 in
Maximum Wheel Width	15 in
Drive Speed	Fully Variable, 0 - 14 RPM Clockwise Single Speed, 14 RPM Counterclockwise
Drive Torque	867 ft-lb (1175 N-m)
Width (W)	33 in (838 mm)*
Height (H)	71 in (1803 mm)
Depth (D)	51 in (1295 mm)

\* Add 14 in (356 mm) for bead press radius (if equipped)



For tire changer information visit:  
[hunter.com/tire-changers](http://hunter.com/tire-changers)

For local contact visit:  
[hunter.com/contact](http://hunter.com/contact)

For general inquiries visit:  
[www.hunter.com](http://www.hunter.com) or call 800-448-6848

Because of continuing technological advancements, specifications, models and options are subject to change without notice.

Form CS07981-00, 05-24  
Supersedes Form CS07981-00, 10-22  
Copyright ©2024, Hunter Engineering Company